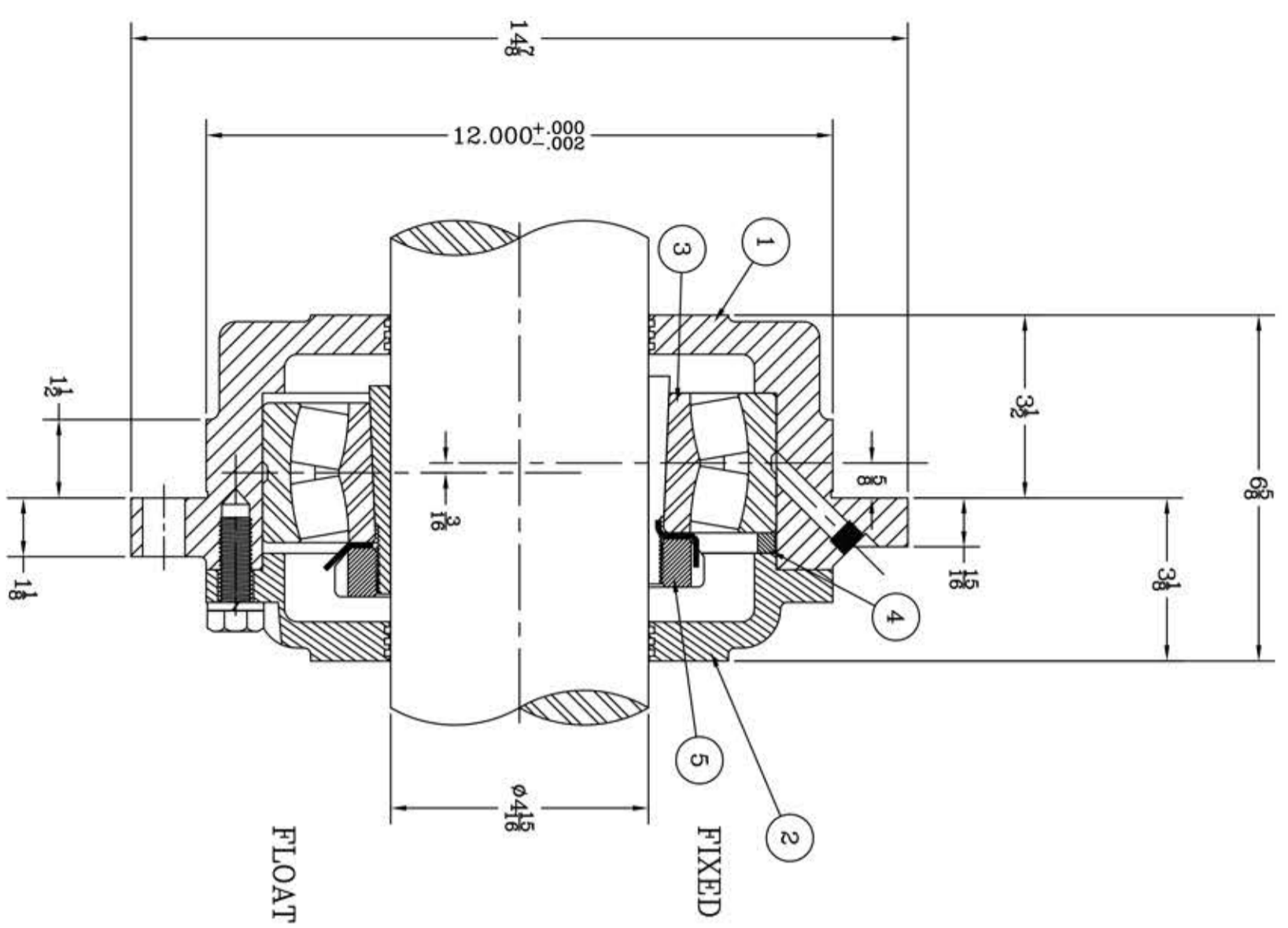
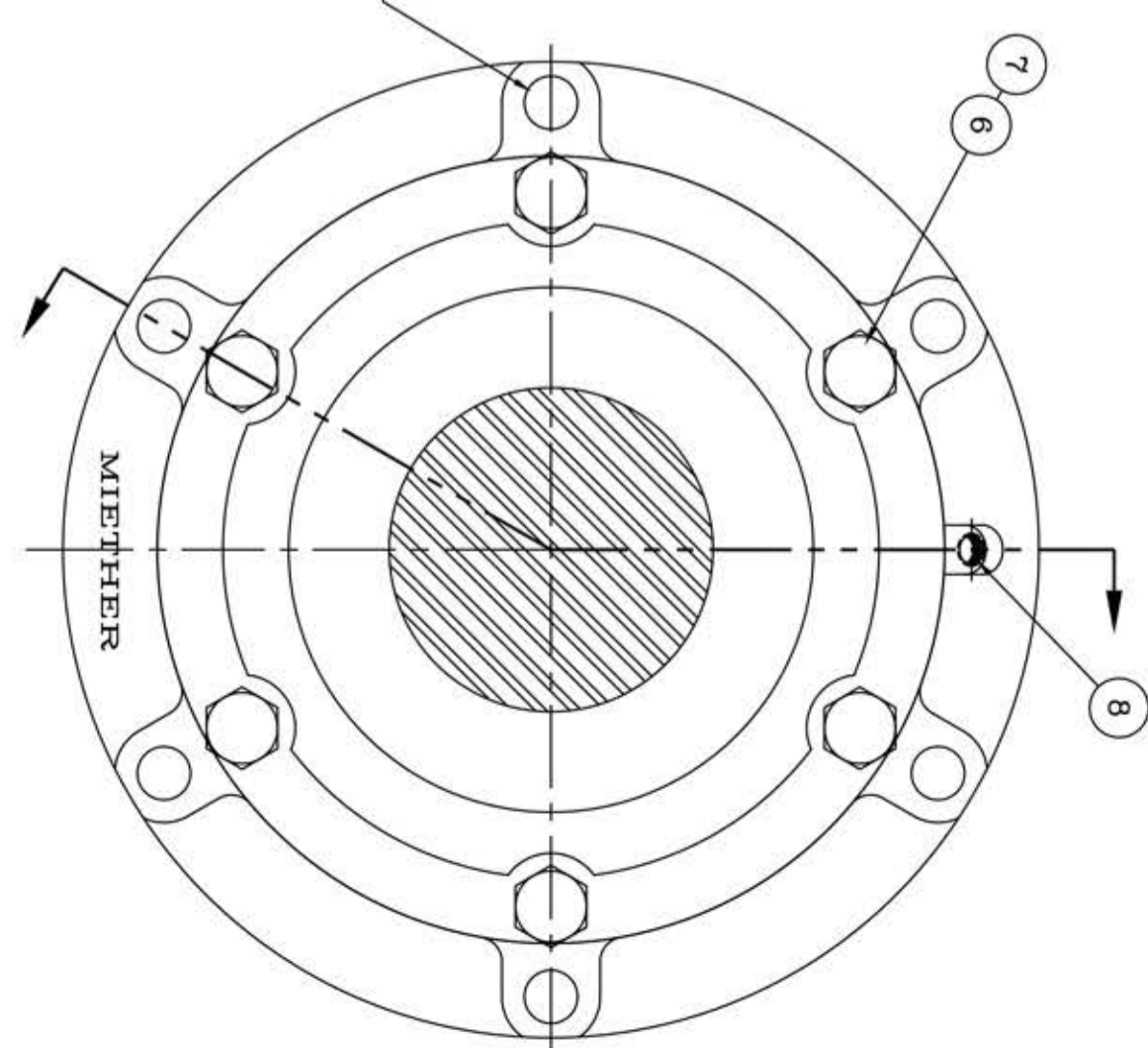


This drawing is the sole property of Miether Bearing Products and contains confidential and proprietary information. It is being provided to you for your use and may not be disclosed to any third party or used for any other purpose without Miether's prior written consent. The [materials] must be returned to the Company upon its demand. Your acceptance of these materials constitutes your acceptance of the foregoing terms.

C-12019



1/8 DRILLED HOLES FOR
(6) - 3/4 BOLT
ON 1 3/8 B.C.



ITEM	DESCRIPTION	DETAIL	REQUIRED P.D. P.L.T.
1	HOUSING HL-528	C-12169	1 1
2	ENDCAP KL-528	C-12170	1 1
3	SPHERICAL ROLLER BEARING	22228K/W 33	1 1
4	STABILIZING RING SR-28-0	A-10606	1 0
5	ADAPTER SNW-28 04-15	B-24435	1 1
6	CAP BOLT HEX. HEAD	8-11 NC x 1 1/8 LONG	6 6
7	LOCKWASHER	8 SPLIT MED.	6 6
8	PIPE PLUG	1-18 NPT	1 1

REDRAWN FOR CONFORMITY
AR per KAB
12-4-03

REDRAWN ON COMPUTER
OMI per KAB
2-9-99

REVISIONS

SYMBOL	DESCRIPTION	DATE
✓	ASSEMBLY FINISHES	16
✓	WELD	32
✓	ANGLES	63
✓	WELD	125
✓	ANGLES	250
✓	WELD	500
✓	ANGLES	1000

AN ALCO INDUSTRIES COMPANY
BEARING PRODUCTS
ODESSA, TX. USA

FCL 22528	04-15
ASSEMBLY DRAWING	
SCALE HALF	ASSEMBLY NO.
DRAWN REB	
DATE 4/15/68	DRAWING NO.
CHK:	C-12019